



VR-3W

The Supertrak relief tooth v-rake model VR-3W is designed to part slash and debris from areas to be tilled (subsoiled, bedded, mounded), as an option to chopping, v shear, KG and raking in forest plantations. The three hydraulic relief teeth are able to provide clearance of stumps as high as 12" while resetting automatically without stopping.

The VR-5C rake is available for D6-7 size crawler tractors.

Rake Width

VR-3W — 8 ft. • VR-5C — 12 ft.



MARDEN INDUSTRIES

1-800-881-0388

(863) 682-7882 Fax: (863) 428-1395

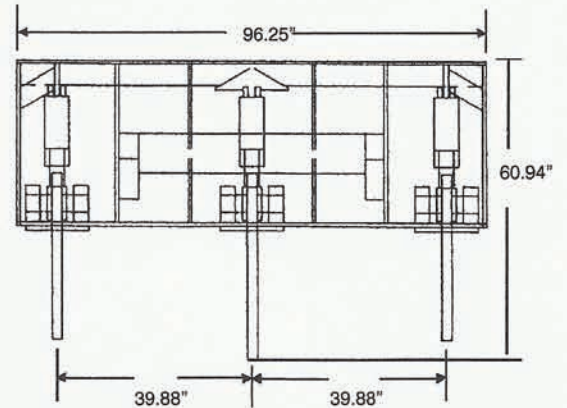
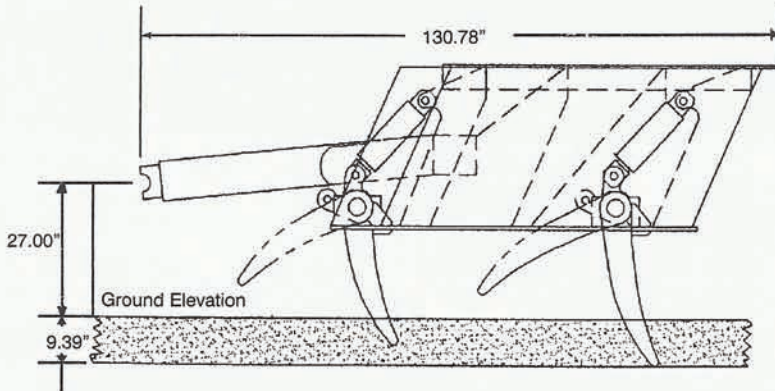
www.mardenind.com

26855 Airport Road, Punta Gorda, FL USA 33982





VR-3W SPECIFICATIONS



3 Tooth V-Rake

Weight 3,800 Lbs. (approx.)
 O.A. Length 10' 11"
 O.A. Width 8' 1/4"

Tooth Spacing 3' 4"
 Depth of Ground Penetration up to 26"



MARDEN INDUSTRIES

1-800-881-0388

(863) 682-7882 Fax: (863) 428-1395

eMail: Info@mardenind.com

www.mardenind.com

26855 Airport Road, Punta Gorda, FL USA 33982

